

VALVES

ANSI 300

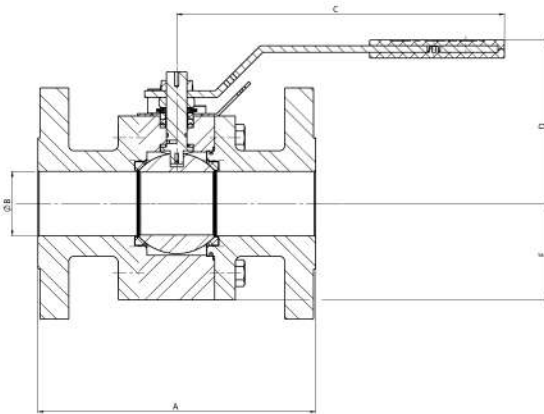
FLOATING SPLIT BODY FORGED BALL VALVE FULL BORE

Rating: ANSI 150-600
PN 16-40

PN6, PN10, PN25 Available on request



Dimensions



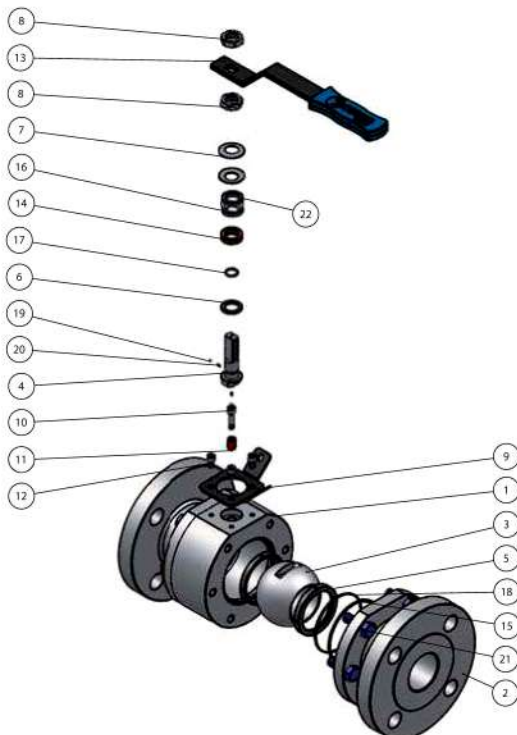
SIZE	1/2"	3/4"	1"	1 1/2"	2"	3"	4"	6"
A RF	140	152	165	190	216	283	305	403
A RTJ	---	---	178	203	232	298	321	419
A BW	140	152	165	190	216	283	305	457
B	ø13	ø19	ø25	ø38	ø49	ø74	ø100	ø150
C	138,5	138,5	171	260	260	333	427	472
D	85	89	97	119	127	158	174	227
E	45	50	55	70	75	102,5	115	165
WEIGHT KG.	4	5,2	6,8	14	19	38	54	130

Dimensions in mm

Top mounting & Torques ($\Delta p=0$)

SIZE	1/2"	3/4"	1"	1 1/2"	2"	3"	4"	6"
ISO 5211 Nm	F03	F03	F03	F05	F05	F07	F10	F12
	8	11	15	33	44	100	165	230

Description & Materials



POS	DESCRIPTION	MATERIAL			SPARE PARTS (QTY) β
1	BODY	A105	304	316	
2	CLOSURE	A105	304	316	
3	BALL	304	304	316	ON REQUEST
4	STEM	304	304	316	
5	SEAT	PTFE	PTFE	PTFE	2
6	WASHER	PTFE	PTFE	PTFE	1
7	SPRING WASHER	C72	C72	C72	ON REQUEST
8	NUT	65	65	65	ON REQUEST
9	LOCKING DEVICE	FE410	FE410	FE410	
10	TE SCREW	8,8	8,8	8,8	ON REQUEST
11	LEVER STOP	FE410	FE410	FE410	ON REQUEST
12	TE SCREW	8,8	8,8	8,8	
13	ANATOMIC LEVER	GALV. STEEL	GALV. STEEL	GALV. STEEL	ON REQUEST
14	CHEVRON	RPTFE	RPTFE	RPTFE	1
15	GASKET	GRAPHITE	GRAPHITE	GRAPHITE	1
16	GASKET	GRAPHITE	GRAPHITE	GRAPHITE	1
17	O-RING	HNBR	HNBR	HNBR	1
18	O-RING	HNBR	HNBR	HNBR	1
19	ANTISTATIC BALL	304	304	316	
20	ANTISTATIC SPRING	304	304	316	
21	BOLT	8,8	8,8	8,8	
22	WASHER	PTFE	PTFE	PTFE	1