

VALVES

PN 40

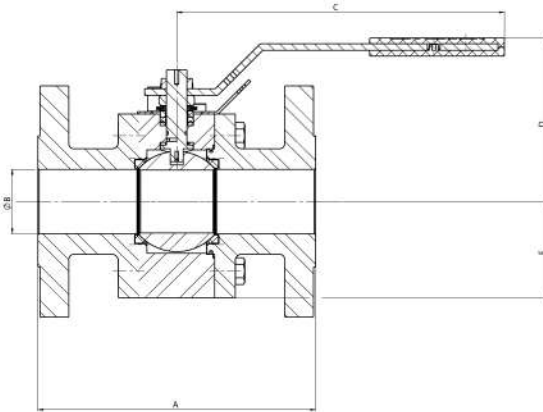
FLOATING SPLIT BODY FORGED BALL VALVE FULL BORE

Rating: ANSI 150-600
PN 16-40

PN6, PN10, PN25 Available on request



Dimensions



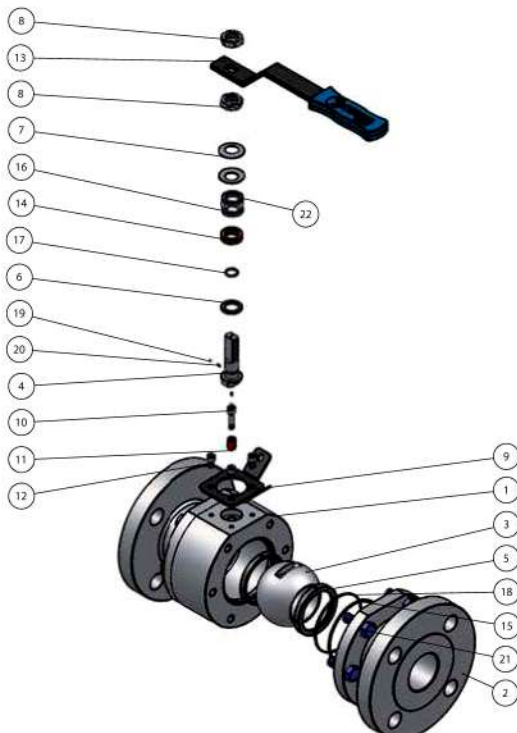
SIZE	DN 15	DN 20	DN 25	DN 32	DN 40	DN 50	DN 65	DN 80	DN 100	DN 125	DN 150
A	115	120	125	132	140	150	165	180	190	325	350
B	ø13	ø19	ø25	ø28	ø38	ø49	ø62	ø74	ø100	ø118	ø150
C	138,5	138,5	171	171	260	260	333	333	427	427	472
D	85	89	97	101	119	127	148	158	174	189	227
E	45	50	55	65	70	75	94	102,5	115	135	165
WEIGHT KG.	3	4	5,2	7	10	13,5	21,5	26	30,5	61	96

Dimensions in mm

Top mounting & Torques ($\Delta p=0$)

SIZE	DN 15	DN 20	DN 25	DN 32	DN 40	DN 50	DN 65	DN 80	DN 100	DN 125	DN 150
ISO 5211 Nm	F03	F03	F03	F03	F05	F05	F07	F07	F10	F10	F12
	8	11	15	19	33	44	77	100	165	200	230

Description & Materials



POS	DESCRIPTION	MATERIAL			SPARE PARTS (QTY) β
1	BODY	A105	304	316	
2	CLOSURE	A105	304	316	
3	BALL	304	304	316	ON REQUEST
4	STEM	304	304	316	
5	SEAT	PTFE	PTFE	PTFE	2
6	WASHER	PTFE	PTFE	PTFE	1
7	SPRING WASHER	C72	C72	C72	ON REQUEST
8	NUT	65	65	65	ON REQUEST
9	LOCKING DEVICE	FE410	FE410	FE410	
10	TE SCREW	8,8	8,8	8,8	ON REQUEST
11	LEVER STOP	FE410	FE410	FE410	ON REQUEST
12	TE SCREW	8,8	8,8	8,8	
13	ANATOMIC LEVER	GALV. STEEL	GALV. STEEL	GALV. STEEL	ON REQUEST
14	CHEVRON	RPTFE	RPTFE	RPTFE	1
15	GASKET	GRAPHITE	GRAPHITE	GRAPHITE	1
16	GASKET	GRAPHITE	GRAPHITE	GRAPHITE	1
17	O-RING	HNBR	HNBR	HNBR	1
18	O-RING	HNBR	HNBR	HNBR	1
19	ANTISTATIC BALL	304	304	316	
20	ANTISTATIC SPRING	304	304	316	
21	BOLT	8,8	8,8	8,8	
22	WASHER	PTFE	PTFE	PTFE	1