

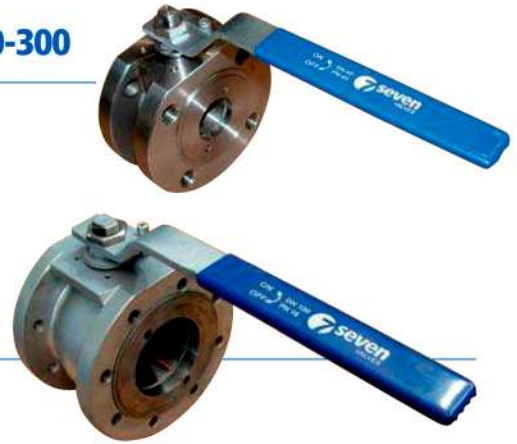
VALVES

PN 16 - 40 / ANSI 150-300

Rating: ANSI 150-300
PN 16-40

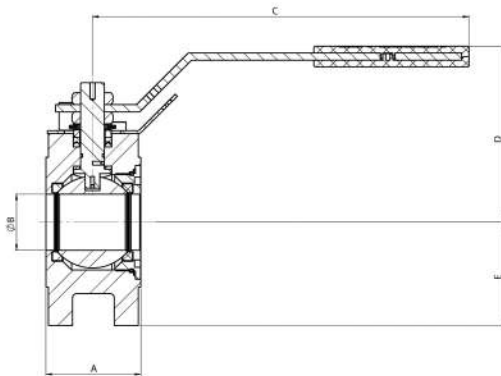
PN6, PN10,
PN25
Available
on request

FLOATING WAFER CAST BALL VALVE VALVOLA A SFERA A CORPO PIATTO IN FUSIONE



Dimensions

PN 16-40 / ANSI 150



SIZE	32	40	50	65	80	100	125	150
A	51,2	64,2	80,2	104,2	118,2	150	182	236
B	ø28	ø38	ø49	ø62	ø74	ø100	ø118	ø150
C	171	260	260	333	333	427	427	472
D	101	119	127	147,5	158	174	189	227
E	65	70	75	90	102,5	115	127,5*	165
WEIGHT KG.	4	7	9	16	22	32	45	100

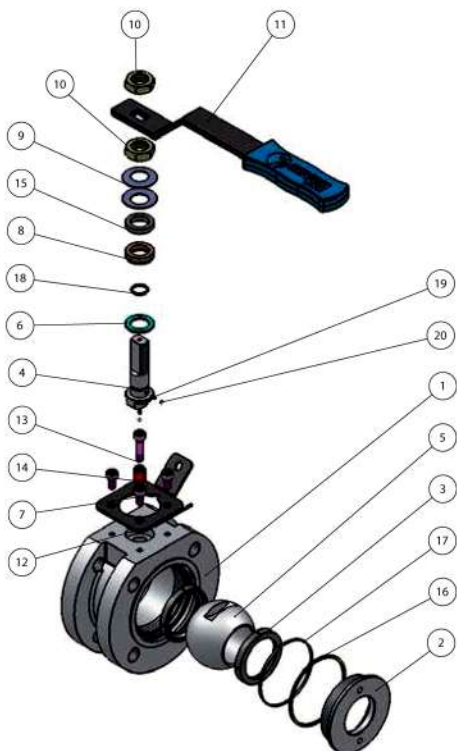
Dimensions in mm
*PN40: DN125 E 135

ANSI 300

SIZE	1 1/4"	1 1/2"	2"	2 1/2"	3"	4"	5"	6"
A	51,2	64,2	80,2	104,2	118,2	150	182	236
B	ø28	ø38	ø49	ø62	ø74	ø100	ø118	ø150
C	171	260	260	333	333	427	427	472
D	101	119	127	147,5	158	174	189	227
E	65	70	75	90	112,5	132,5	135	165
WEIGHT KG.	4	7	9	16	22	32	45	100

Dimensions in mm

Description & Materials



POS	DESCRIPTION	MATERIAL			SPARE PARTS (QTY)
1	BODY	WCB	CF8	CF8M	
2	CLOSURE	A105	304	316	
3	SEAT	PTFE	PTFE	PTFE	2
4	STEM	304	304	316	
5	BALL	304	304	316	ON REQUEST
6	GASKET	PTFE	PTFE	PTFE	1
7	TE SCREW	8,8	8,8	8,8	
8	CHEVRON	RPTFE	RPTFE	RPTFE	1
9	SPRING WASHER	C72	C72	C72	ON REQUEST
10	NUT	65	65	65	ON REQUEST
11	ANATOMIC LEVER	GALV. STEEL	GALV. STEEL	GALV. STEEL	ON REQUEST
12	LOCKING DEVICE	FE410	FE410	FE410	
13	TE SCREW	8,8	8,8	8,8	ON REQUEST
14	LEVER STOP	FE410	FE410	FE410	ON REQUEST
15	WASHER	304	304	304	
16	GASKET	GRAPHITE	GRAPHITE	GRAPHITE	1
17	O-RING	NBR	NBR	NBR	1
18	O-RING	NBR	NBR	NBR	1
19	ANTISTATIC SPRING	304	304	316	
20	ANTISTATIC BALL	304	304	316	